

4

3

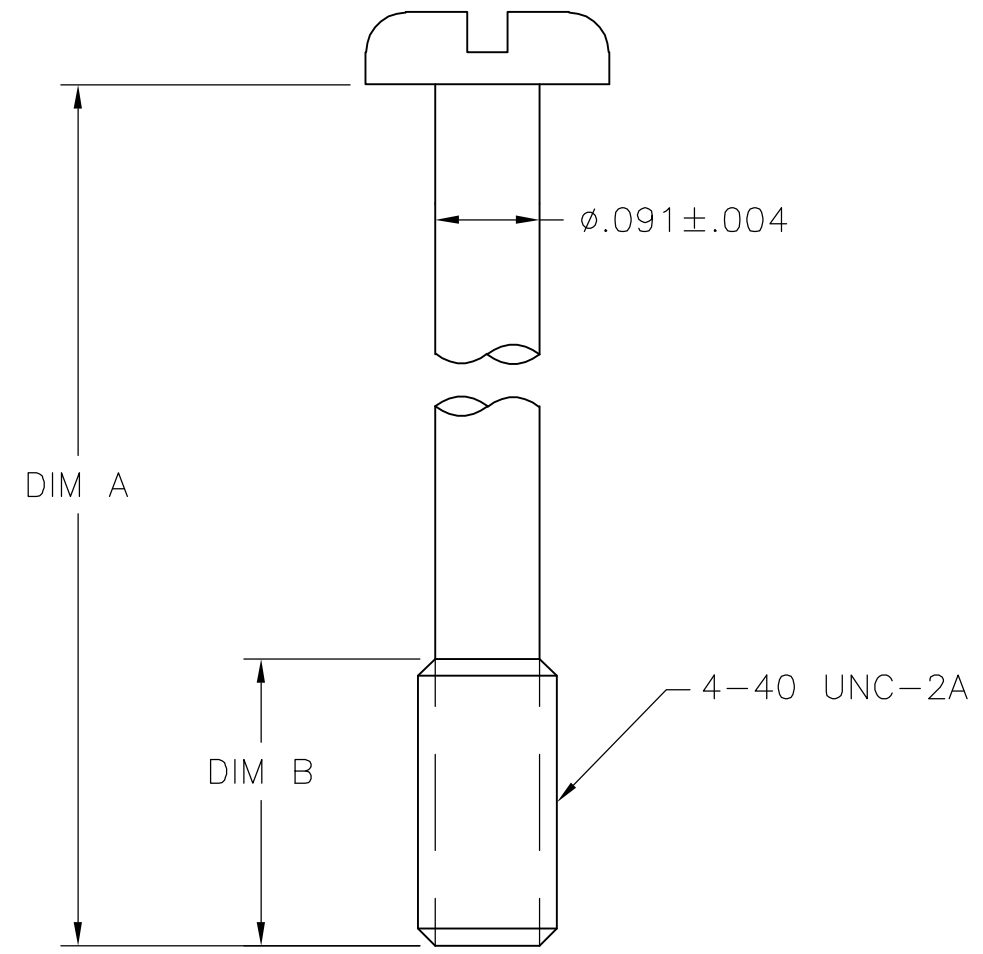
2

1

THIS DRAWING IS UNPUBLISHED. RELEASED FOR PUBLICATION  
 © COPYRIGHT - BY TYCO ELECTRONICS CORPORATION. ALL RIGHTS RESERVED.

LOC	DIST	REVISIONS					
GP	00	P	LTR	DESCRIPTION	DATE	DWN	APVD
			0	RELEASED PER EC OS13-0288-05	27JULY05	BM	JG

△1 MATERIAL:  
ZINC PLATED STEEL.



.20	1.00	5229911-4
.13	1.75	5229911-3
.25	.62	5229911-2
.25	.75	5229911-1
DIM B	DIM A	PART NO

**COPYRIGHT 2005  
 TYCO ELECTRONICS CORP  
 ALL RIGHTS RESERVED**

THIS DRAWING IS A CONTROLLED DOCUMENT.		DWN B. MCMASTER 27JULY05	Tyco Electronics Corporation Harrisburg, Pa 17105-3608	
DIMENSIONS: INCHES	TOLERANCES UNLESS OTHERWISE SPECIFIED:	CHK W. MILLHIMES 27JULY05	NAME	
	0 PLC ± -	APVD M. WALMSLEY 27JULY05	SCREW, PAN HD, CAPTIVE	
	1 PLC ± -	PRODUCT SPEC	-	
	2 PLC ± .02	APPLICATION SPEC	-	
	3 PLC ± -	WEIGHT	-	
	4 PLC ± -	SIZE CAGE CODE DRAWING NO RESTRICTED TO A3 00779 C-5229911 -		
	ANGLES ± -	CUSTOMER DRAWING SCALE 6:1 SHEET 1 OF 1 REV 0		
MATERIAL	FINISH			
△1	△1			